

LOAD TABLES	SPAN CONDITION	THICKNESS OF PROFILE	WT. PER SQ. M	DEFLECTION LIMIT	SPAN (IN METRES)											
					1.0	1.2	1.4	1.6	1.8	2.0	2.2	2.4	2.6	2.8	3.0	
AS24/1000R ROOF SHEET	CONTINUOUS	0.5	3.95	$\frac{1}{200}$	4.44	3.00	2.12	1.50	1.05	0.75	0.55	0.40	0.32	-	-	
		0.7	5.5	$\frac{1}{200}$	6.00	4.50	3.00	2.10	1.40	1.10	0.76	0.60	0.45	0.40	-	
	SINGLE	0.5	3.95	$\frac{1}{200}$	3.50	2.02	1.32	0.93	0.61	0.45	0.34	0.27	-	-	-	
		0.7	5.5	$\frac{1}{200}$	5.00	3.00	1.75	1.25	0.85	0.62	0.44	0.35	0.30	-	-	

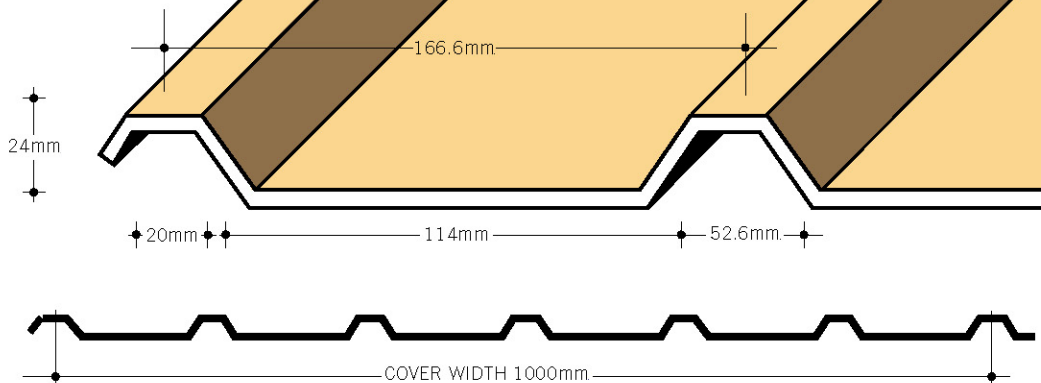
Gauge: 0.5mm, 0.7mm
Cover: 1m
Maximum Length: 12.2m

Weight: dependant on gauge
Colour: all standard colours ex-stock

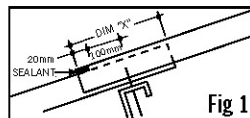
Substrate: hot dipped galv. to BS2989 or Aluzinc®

AS24/1000R ROOF SHEET

Manufactured from the same material and to the same high standards as the AS24 Wall Sheet, the AS24 Roof Sheet is especially suitable for the lighter building applications. Translucent sheets in GRP Class 3 are available up to 1.85m clear span. Maximum length 8.00mtrs. Suitable for horizontal and vertical applications.



RECOMMENDED LAP SIZE & TREATMENT



ROOF PITCH	EXPOSURE GRADE	END LAPS		SIDE LAPS		PREVAILING WIND →
		LAP LENGTH ('x' Fig 1)	LAP SEALS (Fig 1)	LAP SEALS	LAP STITCHING C/C	
4-7 DEGREES	MODERATE	225	2 ROWS	YES	450	
7.5-10 DEGREES	MODERATE	225	2 ROWS	YES	450	
10.5-15 DEGREES	MODERATE	220	1 ROW	YES	450	
OVER 15 DEGREES	MODERATE	220	UNSEALED	UNSEALED	450	