

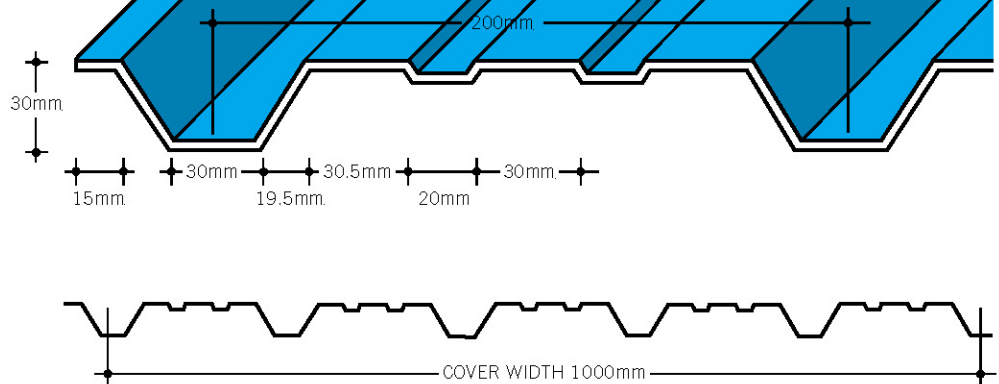
- A mid-range wall and roof sheet with supported seam.
- Roof sheet features an integral syphon groove.
- Available in a large range of colours and finishes.
- Length cut to client requirements to give maximum flexibility for optimum performance.

AS30/1000W WALL SHEET

An architecturally pleasing wall profile, attractively designed to complement other Steadman products. Available in a range of popular colours and finishes.

Designed in accordance with the following:

- Code of design and technical requirements for light gauge metal roofs, published by the Metal Roof Deck Association.
- BS 1449
- BS 449 Appendix 1
Suitable for horizontal and vertical applications



LOAD TABLES	SPAN CONDITION	THICKNESS OF PROFILE	WT. PER SQ. M	DEFLECTION LIMIT	SPAN (IN METRES)					
					1.4	1.6	1.8	2.0	2.2	2.4
AS30/1000w WALL SHEET	CONTINUOUS ↑↑↑↑	0.5	3.95	200	2.15	1.73	1.42	1.19	0.92	0.71
		0.7	5.5	200	3.69	2.96	2.43	1.88	1.41	1.09
	SINGLE ↑↑	0.5	3.95	200	1.87	(1.26)	(0.89)	0.65	0.49	0.37
		0.7	5.5	200	(2.89)	(1.94)	(1.36)	0.99	0.74	0.57

Gauge: .5mm, .7mm
 Cover: 1m
 Maximum Length: 12.2m
 Weight: dependant on gauge
 Colour: all standard colours ex-stock
 Substrate: hot dipped galv.
 to BS2989 or Aluzinc®