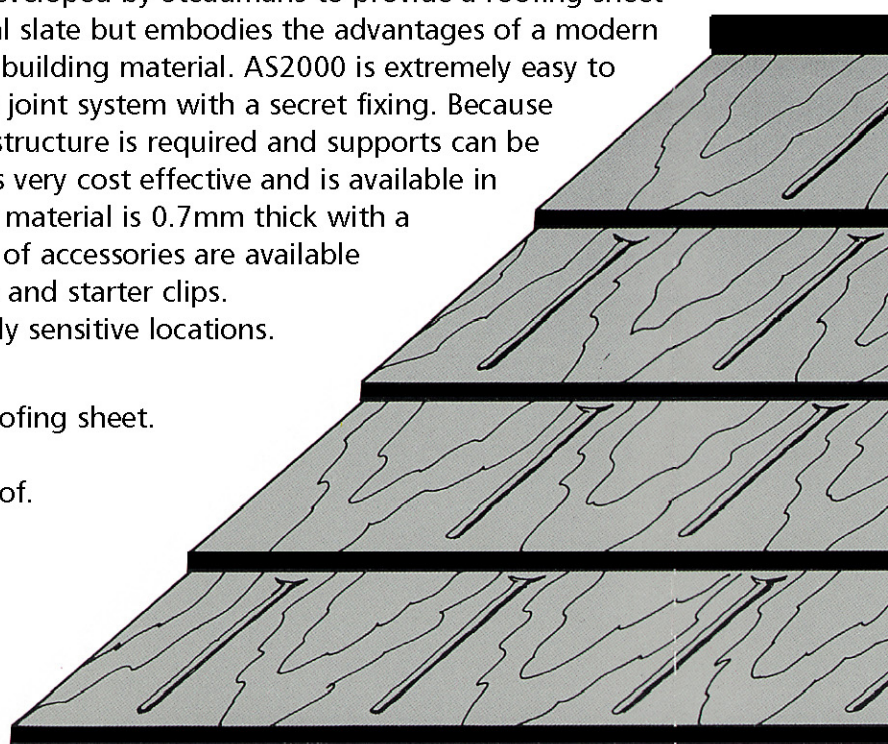




AS2000 ROOF PROFILE

AS2000 has been designed and developed by Steadmans to provide a roofing sheet that has the appearance of natural slate but embodies the advantages of a modern lightweight but amazingly strong building material. AS2000 is extremely easy to fit and boasts a beautifully simple joint system with a secret fixing. Because the sheet is lightweight, less sub-structure is required and supports can be up to 1 metre apart. The system is very cost effective and is available in lengths up to 6 metres. The sheet material is 0.7mm thick with a matt polyester finish. A full range of accessories are available including ridges, joint pieces, hips and starter clips. AS2000 is ideal for environmentally sensitive locations.

- A natural looking slate finish roofing sheet.
- Simple and fast to install.
- Provides a strong and secure roof.
- Full range of accessories.

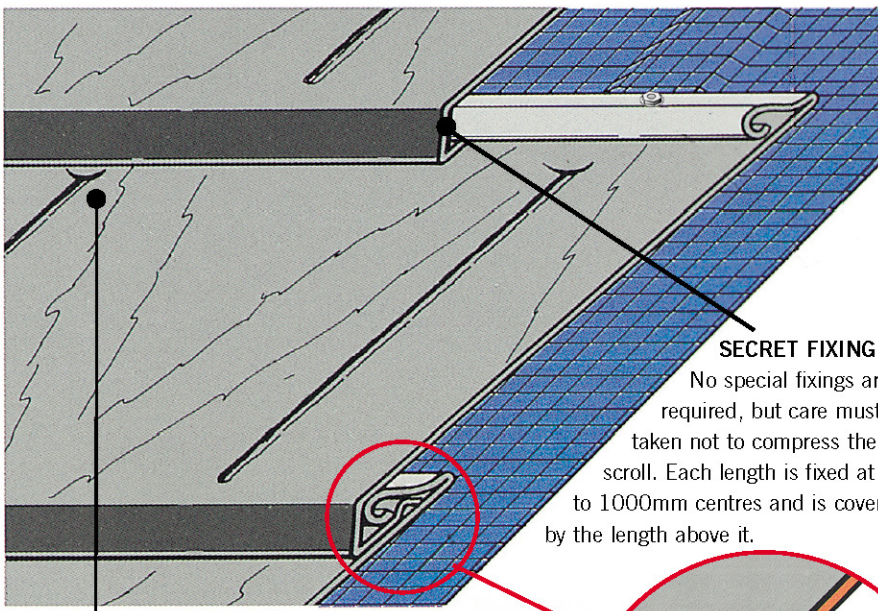
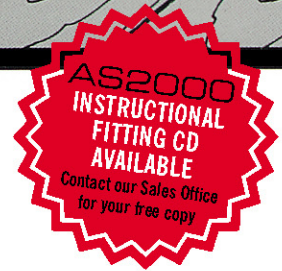
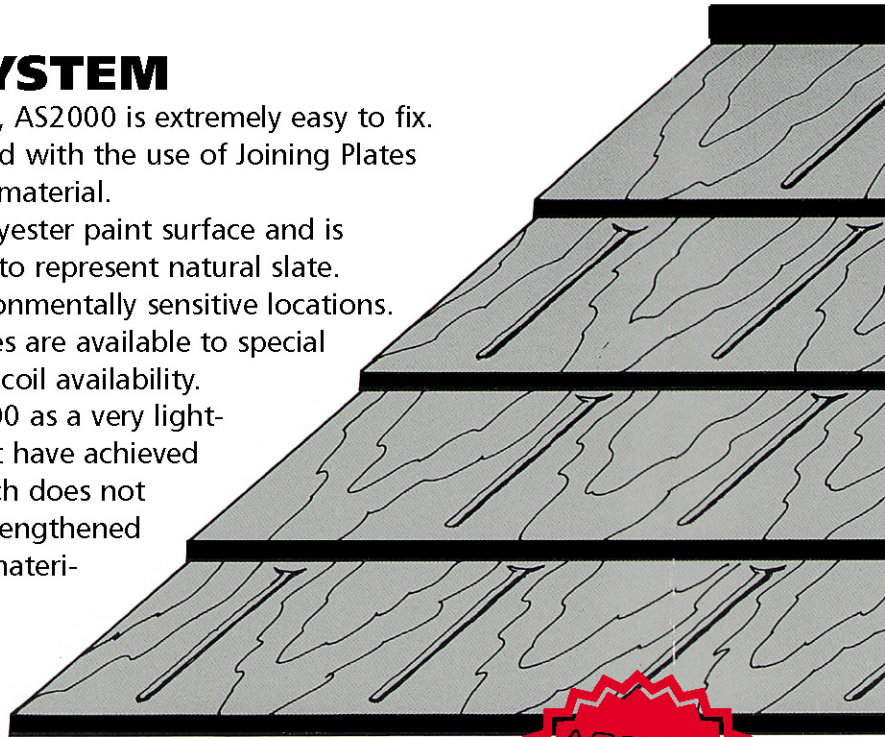




AS2000 ROOF SYSTEM

Manufactured in modular lengths, AS2000 is extremely easy to fix. The regular slate pattern combined with the use of Joining Plates allows the most economic use of material.

AS2000 is produced in a matt polyester paint surface and is especially embossed and finished to represent natural slate. This finish is ideal for use in environmentally sensitive locations. However other colours and finishes are available to special order but subject to quantity and coil availability. Steadmans have developed AS2000 as a very light-weight material (only 6kg/m²) but have achieved an amazingly strong product which does not require the sub-structure to be strengthened as with more traditional roofing materials.



SECRET FIXING

No special fixings are required, but care must be taken not to compress the scroll. Each length is fixed at up to 1000mm centres and is covered by the length above it.

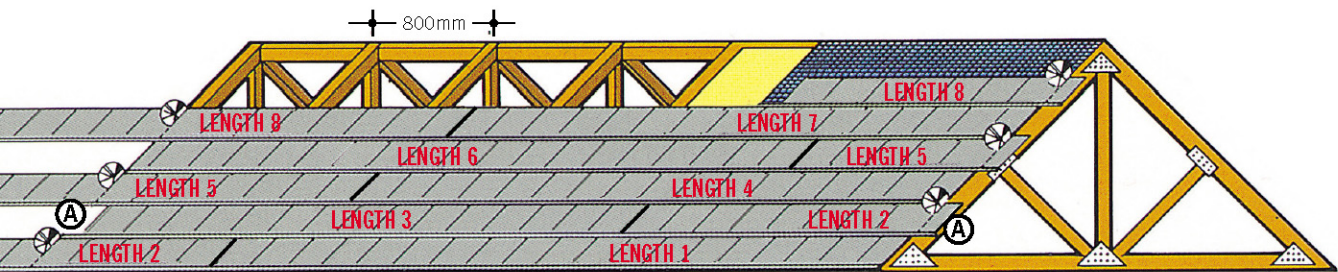
LOCATION MARKER

Each top sheet is correctly positioned when the location marker becomes visible.

STEADFAST LOCKING SYSTEM

Steadmans unique Lap Locking System. Once locked into position, this ingenious design provides a weather tight joint whilst also allowing repositioning.





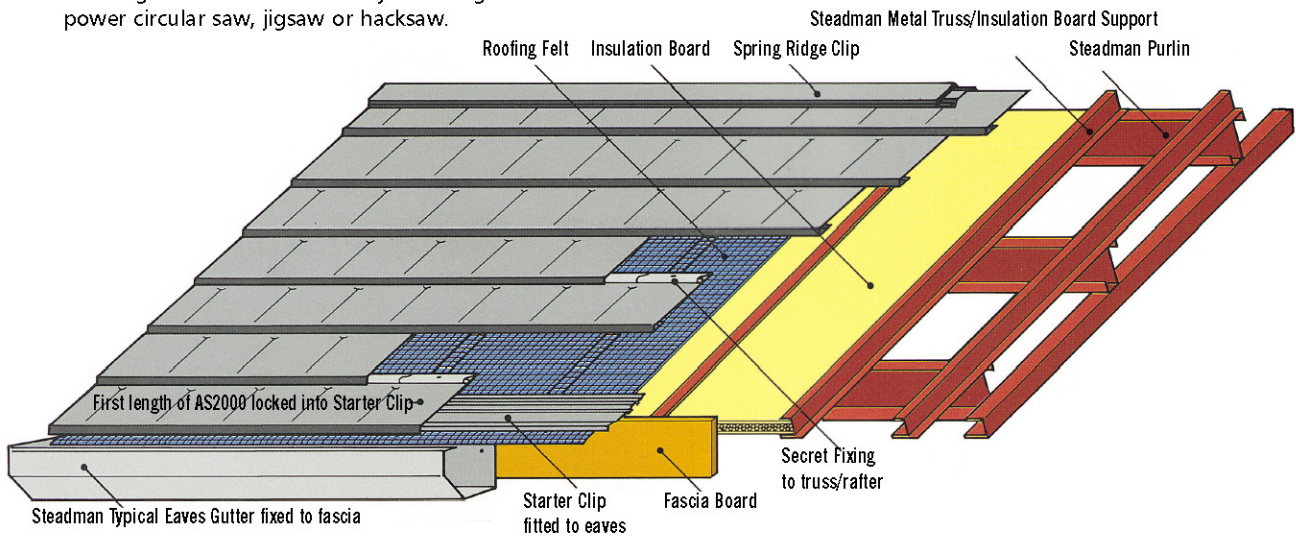
RECOMMENDED LAYING PROCEDURE

AS2000 is available in standard lengths. Using a combination of these, together with the joining plate it is possible to clad any length and shape of roof. The joining of two lengths does not have to coincide with a truss/rafter as the joined lengths form an extremely rigid joint.

AS2000 roofing sheets can be fixed to either timber trusses, traditional rafters or metal purlins. The distance between each fixing point should not exceed 1000mm (800mm being optimum). Steadmans always recommend the use of roofing felt to act as a vapour barrier.

The lengths of AS2000 are easily cut using a standard power circular saw, jigsaw or hacksaw.

In order to achieve a 'tile hung' effect across the roof, the 'tile' pattern has to be staggered to its neighbour. For instance, in this example, length 2 has been cut at half a 'tile' pattern (marked A). The off-cut has been re-positioned at the other side of the roof to make up the 'tile hung' effect, and so on up to the depth of the roof as illustrated. The system has achieved BBA certification to a minimum pitch of 10 degree & 1000mm fixing centres (optimum being 15 degree pitch & above & 800mm fixing centres). Please contact our technical information department.



FIXING PROCEDURE

After the insulation board and roofing felt are in place, the Starter Clip lengths are fixed to the truss/rafter at the eaves. The first length of AS2000 is then locked into the Starter Clip and secretly fixed onto the truss/rafter. When the first length is completed, the second length is locked in to position utilising the unique Steadfast Locking System (see over). Adopting the Recommended Laying procedure as above, the roof is completed and capped with the Spring Ridge Clip.

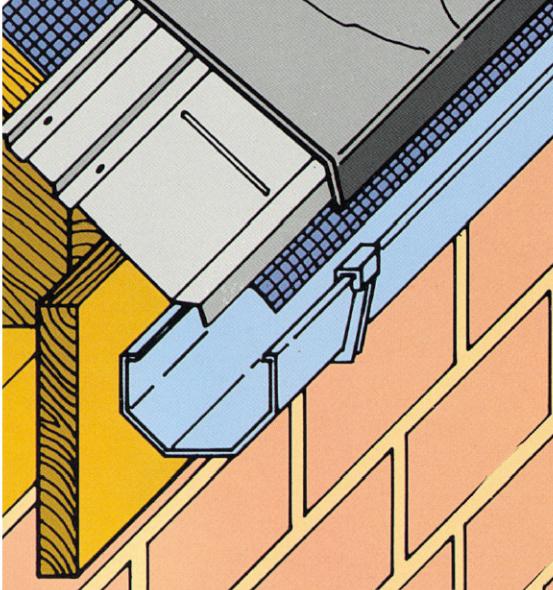
ACCESSORIES

The AS2000 Roof System is complemented by a full range of accessories. A leaflet is available describing each item.

LOAD TABLES

Gauge: .7mm
Cover Width: 300mm
Substrate: Hot dipped galv. to BS2989

| SPAN CONDITION | DEFLECTION LIMIT | RAFTER SPACINGS | | | | | |
|----------------------------|------------------|-----------------|------|------|------|------|------|
| | | 600 | 750 | 900 | 1000 | 1100 | 1100 |
| LLL ↑↑↑↑↑ CONTINUOUS | $\frac{L}{150}$ | 2.44 | 1.98 | 1.82 | 1.53 | 1.41 | 0.94 |
| LLL ↑↑↑↑↑ CONTINUOUS | $\frac{L}{250}$ | 1.85 | 1.56 | 1.33 | 1.18 | 0.99 | 0.67 |

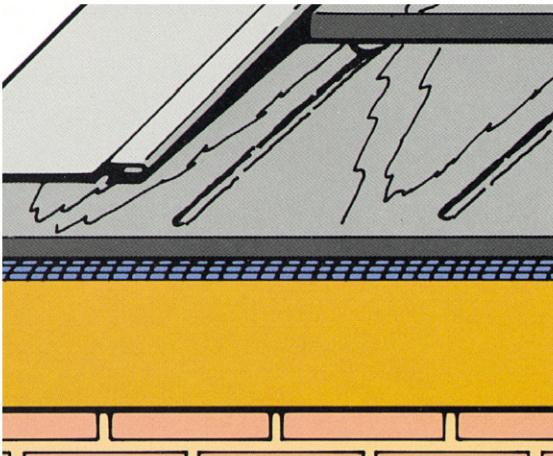


STARTER CLIP

The Starter Clip is designed to accept the first length of AS2000 at the eaves. The AS2000 is locked onto the Starter Clip and secretly fixed to truss/rafter. The Starter Clip is raised off the fascia board to allow the passage of air under the AS2000 and vapour barrier.

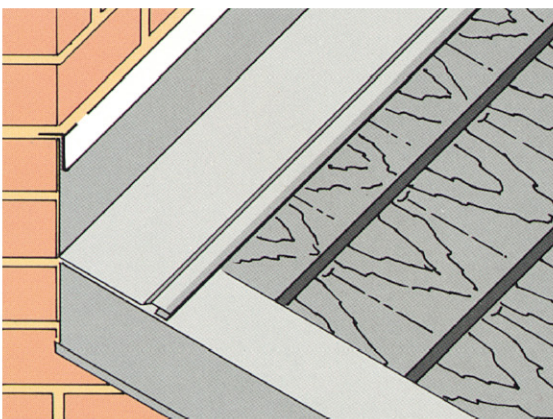
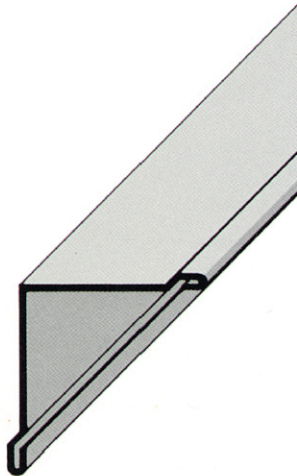
STARTER CLIP

The use of roofing felt is recommended to act as a vapour barrier.



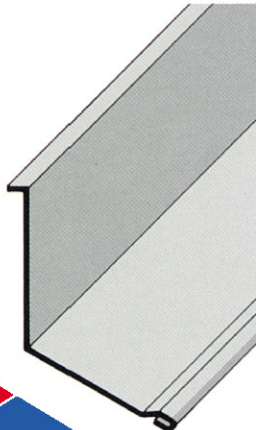
BARGE FLASHING

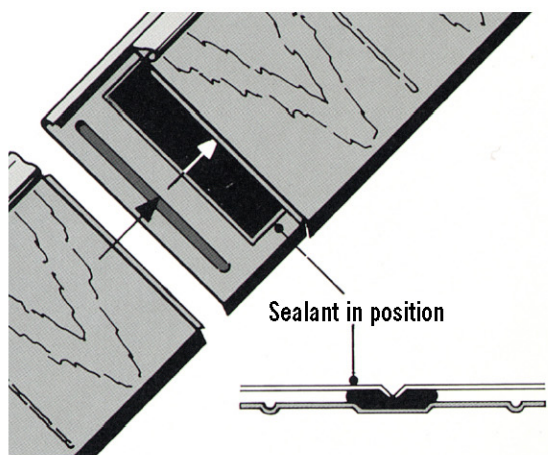
Once the roof is completed, a Barge Flashing is positioned to seal off the gable end of the building. The gaps created by the different angles of the Barge Flashing and the AS2000 are in-filled with expanding strip.



APRON FLASHING

A traditional solution to ensure a weather tight finish to a lean-to roof. The addition of a strip of lead flashing is recommended. The angle of the apron can be set to suit clients' specifications.

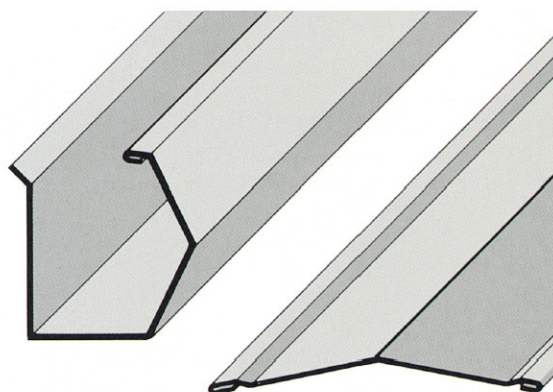
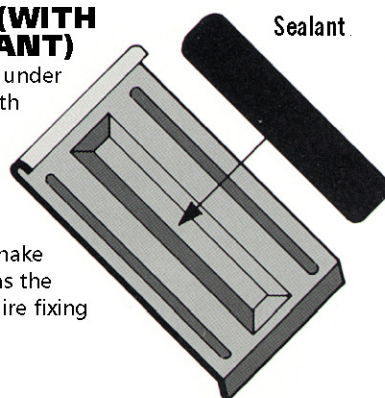




JOINING PLATE (WITH WEATHER SEALANT)

By sliding the Joining Plate under the end of an AS2000 length and joining another length to the plate as shown, an extremely rigid joint is achieved.

N.B. It is not necessary to make these joints at truss/rafter as the Joining Plate does not require fixing to the roof.



EAVES GUTTER/HIP FLASHING

Various styles of guttering and flashing products are available to complement the AS2000 roofing system.

