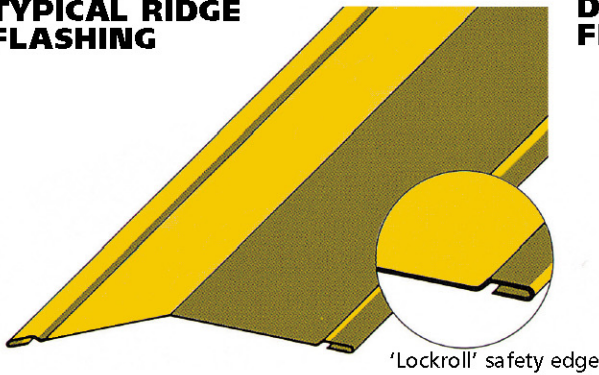
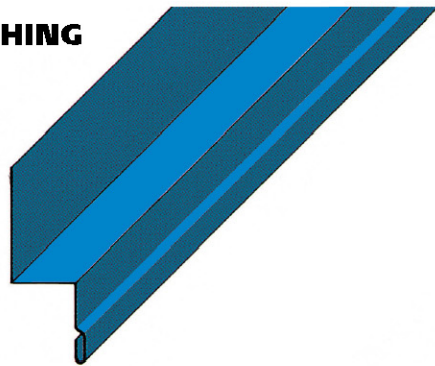


Steadmans Flashing products are manufactured in our modern fabrication shop from a wide range of materials. All traditional profiles are available and any special customer requirements can be catered for. All flashings can be supplied up to 6 metres in length. A variety of coloured materials are offered to co-ordinate with cladding and roofing systems, available in galvanised, polyester, PVF2 or Plastisol, leathergrain and Scintilla finishes.

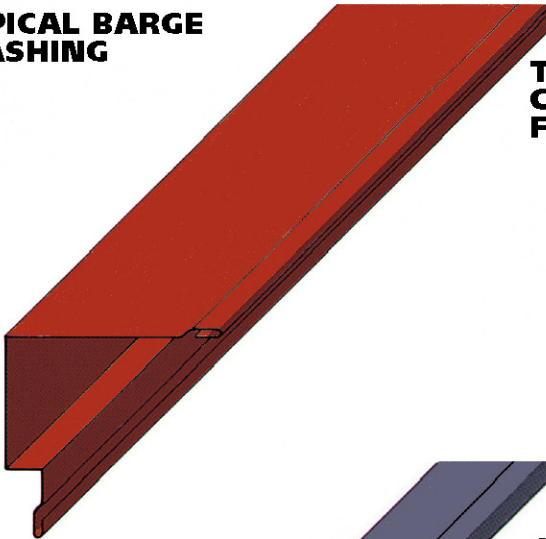
TYPICAL RIDGE FLASHING



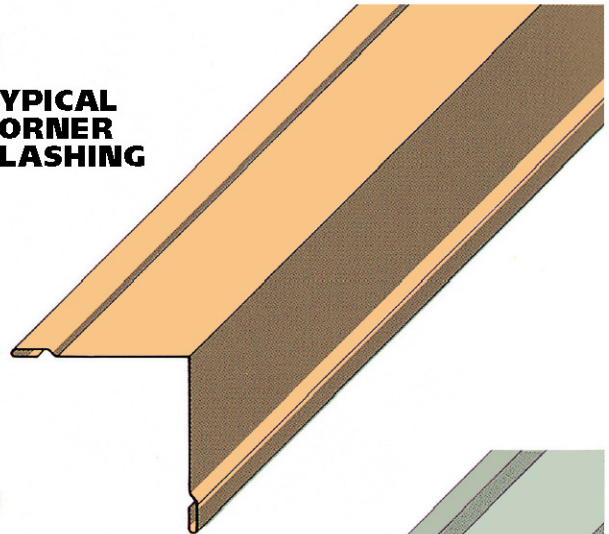
DRIP FLASHING



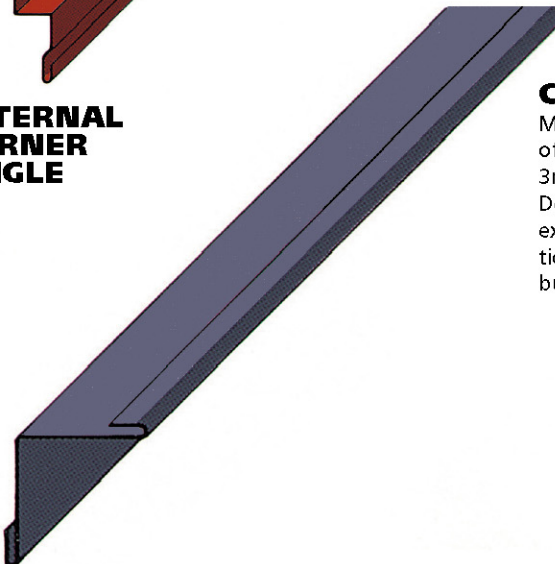
TYPICAL BARGE FLASHING



TYPICAL CORNER FLASHING

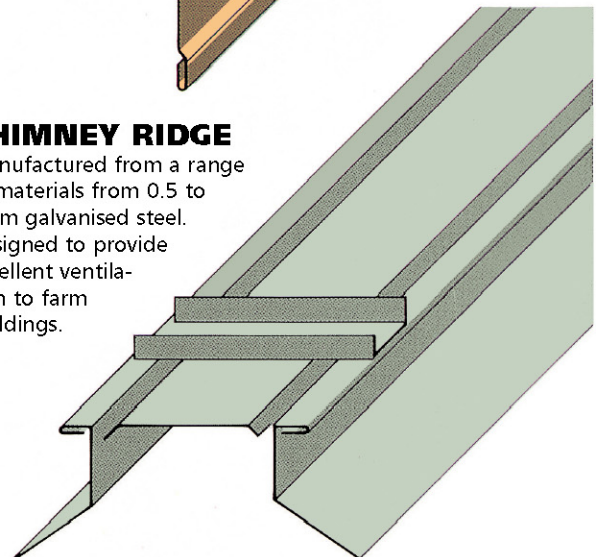


INTERNAL CORNER ANGLE



CHIMNEY RIDGE

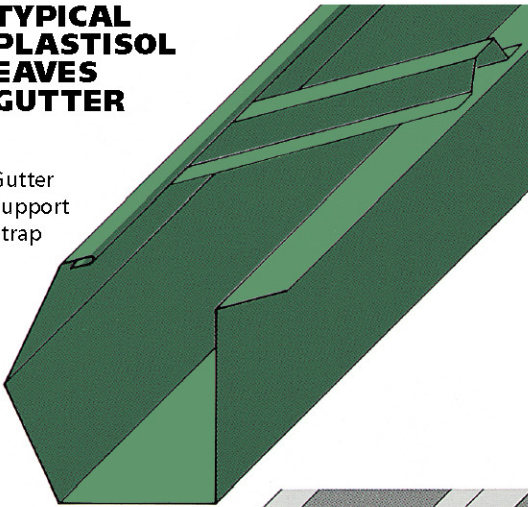
Manufactured from a range of materials from 0.5 to 3mm galvanised steel. Designed to provide excellent ventilation to farm buildings.



The Steadman gutters are designed to complement the Flashing, Cladding and Roofing products. Gutters are produced from a variety of materials including pre-galvanised steel (to BS2989) and pre-coated steel, either painted or PVC one side. Double sided PVC is also available. Aluminium can be supplied to special order. Complete gutter systems and accessories can be manufactured to customers specification up to 10 metres long and to a thickness of 3mm*.

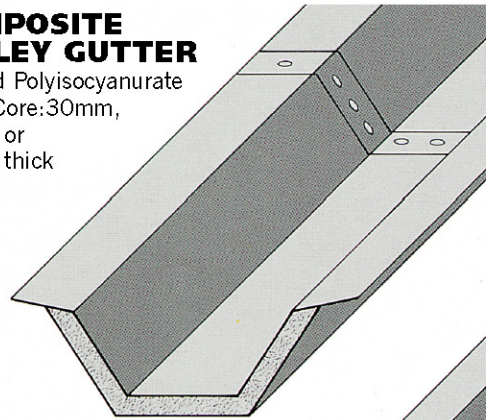
TYPICAL PLASTISOL EAVES GUTTER

Gutter Support Strap



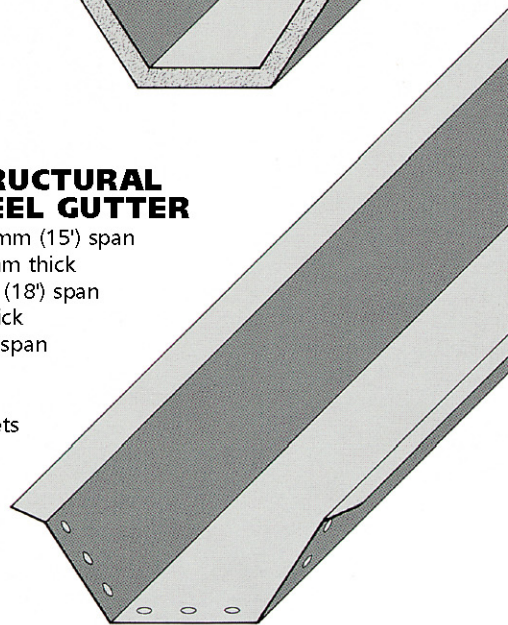
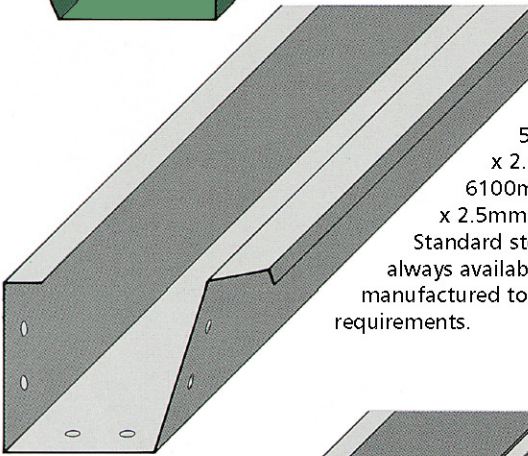
COMPOSITE VALLEY GUTTER

Bonded Polyisocyanurate Foam Core: 30mm, 40mm or 50mm thick



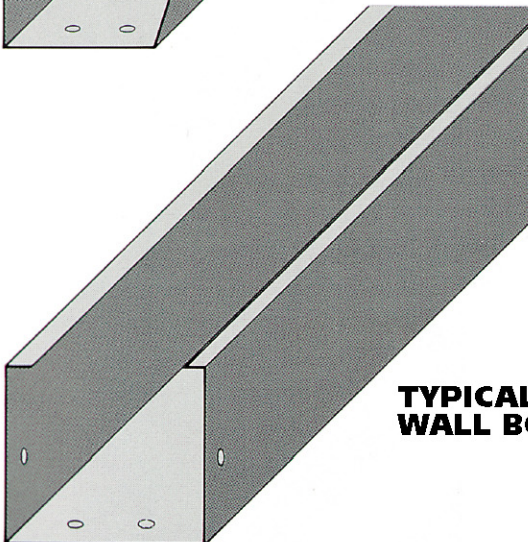
STRUCTURAL STEEL GUTTER

4575mm (15') span
x 1.6mm thick
5490mm (18') span
x 2.0mm thick
6100mm (20') span
x 2.5mm thick.
Standard stop ends always available. Outlets manufactured to client requirements.



TYPICAL VALLEY GUTTER

Available up to 1250mm in girth



TYPICAL BOUNDARY WALL BOX GUTTER

* Limitations may apply to girth and length on gutters. Check with Sales Office.

Steadmans metal cladding is roll-formed from Scandinavian steel, renowned for its quality over the last twenty-five years. This high quality steel is coated at the time with PLASTISOL designed to withstand the harsh winter conditions experienced in Scandinavian countries.

PLASTISOL is also capable of coping with industrial pollution blown in from the rest of Europe.

40 YEARS LIFE EXPECTANCY

With proper maintenance PLASTISOL coatings will last up to 40 years!

The continuing programme of research and development with the world's leading paint and polymer producers guarantee that Steadmans can offer the best possible coloured coating available.

See the table of Life Expectancy below.

GUARANTEED UP TO 25 YEARS

Because the coatings are produced on one of the most up-to-date computer controlled coating lines in the world, PLASTISOL is guaranteed for up to 25 years! To date not one major claim against DOBEL PLASTISOL has been received from a British builder.

COMMITMENT

Steadmans have imported thousands of tonnes of AS200XT in the past and plan to continue to do so for the future. This on-going programme underlines the commitment and confidence in the products properties and life expectancy.

AS200XT COLOURPLUS

A range of 18 PLASTISOL colours for exterior cladding, all with the equivalent British Standards codings.

Extra colours are available on request.

AS COLOURPLUS STANDARD

Six very popular colours available in POLYESTER finish. Whilst not as high a standard as PLASTISOL, POLYESTER is a durable alternative.



PLASTISOL LIFE EXPECTANCY TABLE

PERIOD TO FIRST MAINTENANCE		WALL CLADDING		ROOF CLADDING	REDUCTION DUE TO ORIENTATION, YEARS	
STANDARD COLOURS	NEAREST BS COL ³	Urban, Industrial, Rural	Marine ²		E,W	S, SE, SW
Bamboo	08C35	30 Years	25 Years	20 Years	0	-2
Goosewing Grey	10A05					
Merlin Grey	18B25					
Moorland Green	12B21					
Mushroom	10B19					
New Grey	10B23					
White ¹	00E55					
Black	00E53	25 Years	20 Years	15 Years	-2	-5
Cornflower Blue	18E53					
Country Green						
Juniper Green	12B29					
Ocean Blue	18C39					
Olive Green	12B27					
Poppy Red	04C39					
Slate Blue	18B29					
Terracotta	04C39					
Vandyke Brown	08B29					
Wedgewood Blue	18C37					

KEY: 30 Years 25 Years 20 Years 15 Years

¹ Where colour matching on White (00E55) is critical, it is important that the material is purchased from the same production.
² COASTAL: between 1.5 and 7 miles of shoreline; MARINE: within 1.5 miles of shoreline.
³ These numbers are for guidance only, as the colours may vary slightly from British Standard.

Overpainting of the underside of lapped edges, together with the exposed out edge, may be advisable for some severe industrial, coastal and marine environments.

The standard reverse coating is specifically designed for bonding most injected insulation foams and laminating of slab. Certain colours in specific instances may well have a longer period to first maintenance than shown in the table. For further information please contact Steadmans.